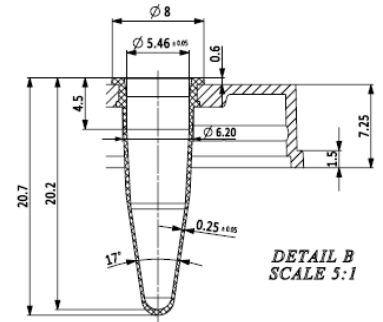
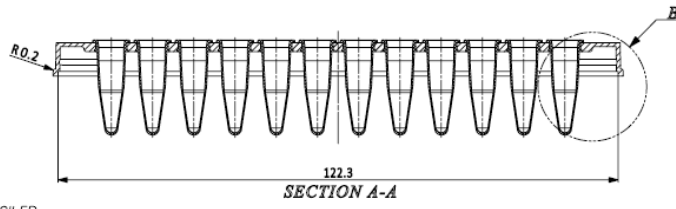


iST Scientific Exo-Frame Semi- Skirted 96 Well Plate

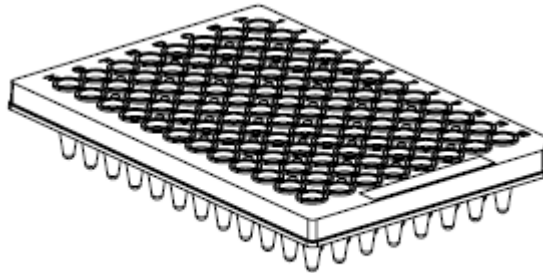
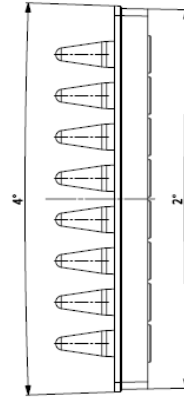
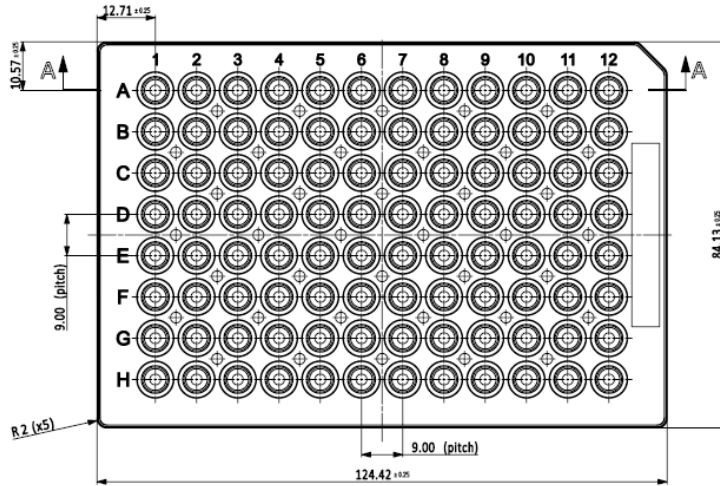


PRODUCT SPECIFICATIONS

Catalog Numbers:	• IST-601-096ABCT
Product Description:	Semi-skirted 96-well PCR plate with clear wells and grey frame
Frame Colour:	Grey
Product Dimensions:	<ul style="list-style-type: none">• Length: 127.76mm• Width: 85.48mm• Height: 16.10mm
Key Features:	Low profile PCR plate, with 96W Clear Thin Walled PP tubes, Rigid two-component design eliminates warping and distortion during PCR. Automation friendly.
No. of Wells:	96
Skirt Style:	Full Skirt
Volume (Metric) Well:	0.2ml well volume
Volume(Metric) Usual Working:	0.1ml working volume
Type:	PCR, 96-well Plate
Packaging:	Packaged 10 plates per sleeve, 50 plates per box
MicroBiological Testing:	Free from DNA, RNA, and nucleases



ALL GRID REFERENCES ARE HOT FOILED



SCALE 1:1

For Research Use Only. Not for use in diagnostic procedure.



Wolflabs

Wolf Laboratories Limited

www.wolflabs.co.uk

Tel: 01759 301142

Fax: 01759 301143

sales@wolflabs.co.uk



Use the above details to contact us if this literature doesn't answer all your questions.

Pricing on any accessories shown can be found by keying the part number into the search box on our website.

The specifications listed in this brochure are subject to change by the manufacturer and therefore cannot be guaranteed to be correct. If there are aspects of the specification that must be guaranteed, please provide these to our sales team so that details can be confirmed.

